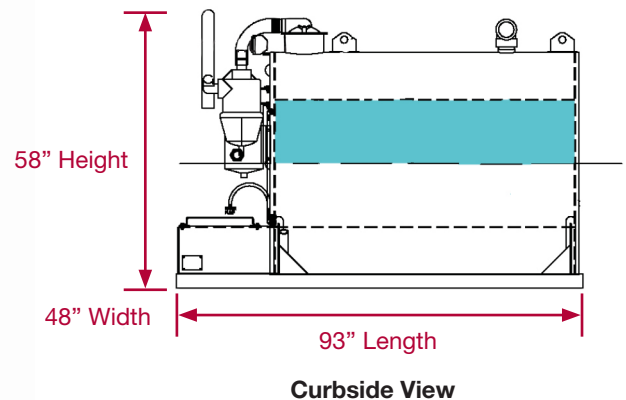




450 Gallon Capacity  
300 Gallon Waste/150 Gallon Fresh



### Standard Unit: 300 Waste/150 Fresh

Electric start 160cc Honda - Conde Super 6 pump, belt drive, 70 C.F.M., 12 volt wash down pump with 50 ft. hose and nozzle, 30' x 2" Tiger Tail inlet hose w/stinger, work light and 3" discharge

### Standard Pump Option Packages:

- 270cc Conde SDS 6, belt drive - 115 C.F.M.
- 270cc Masport HXL- 3V direct drive -106 C.F.M.
- 340cc Masport HXL- 4V, belt drive -165 C.F.M.
- 390cc Conde SDS 12, belt drive - 180 C.F.M.

### Standard Capacity Options:

- 300 Gallon (200 waste/100 fresh) - O.A.L. 73"
- 450 Gallon (300 waste/150 fresh) - O.A.L. 93"
- 600 Gallon (400 waste/200 fresh) - O.A.L. 113"
- 800 Gallon (540 waste/260 fresh) - O.A.L. 113" (54" Dia.)
- 995 Gallon (670 waste/325 fresh) - O.A.L. 113" (65" Dia.)
- Vacuum Only (No Fresh) All sizes

Single compartment and custom sizes available



Base specifications are accurate at the time of publication, and are subject to change without notice. Custom options are available; please consult your Progress Tank representative for additional information.

PGT 0005 01.16 - V2